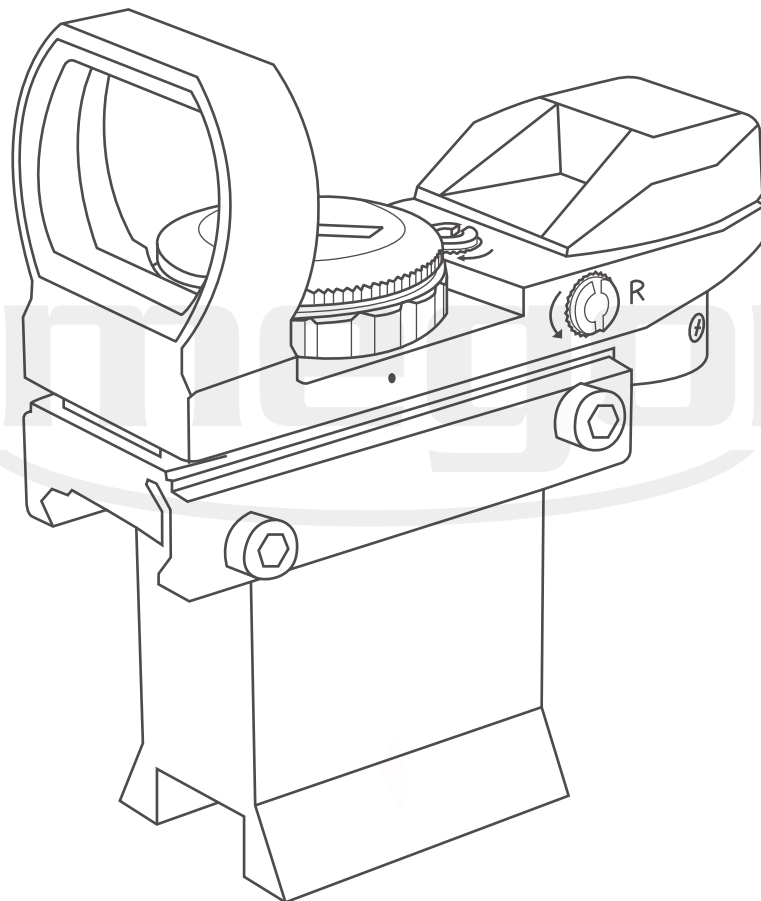


RDA RED DOT FINDER

INSTRUCTION MANUAL

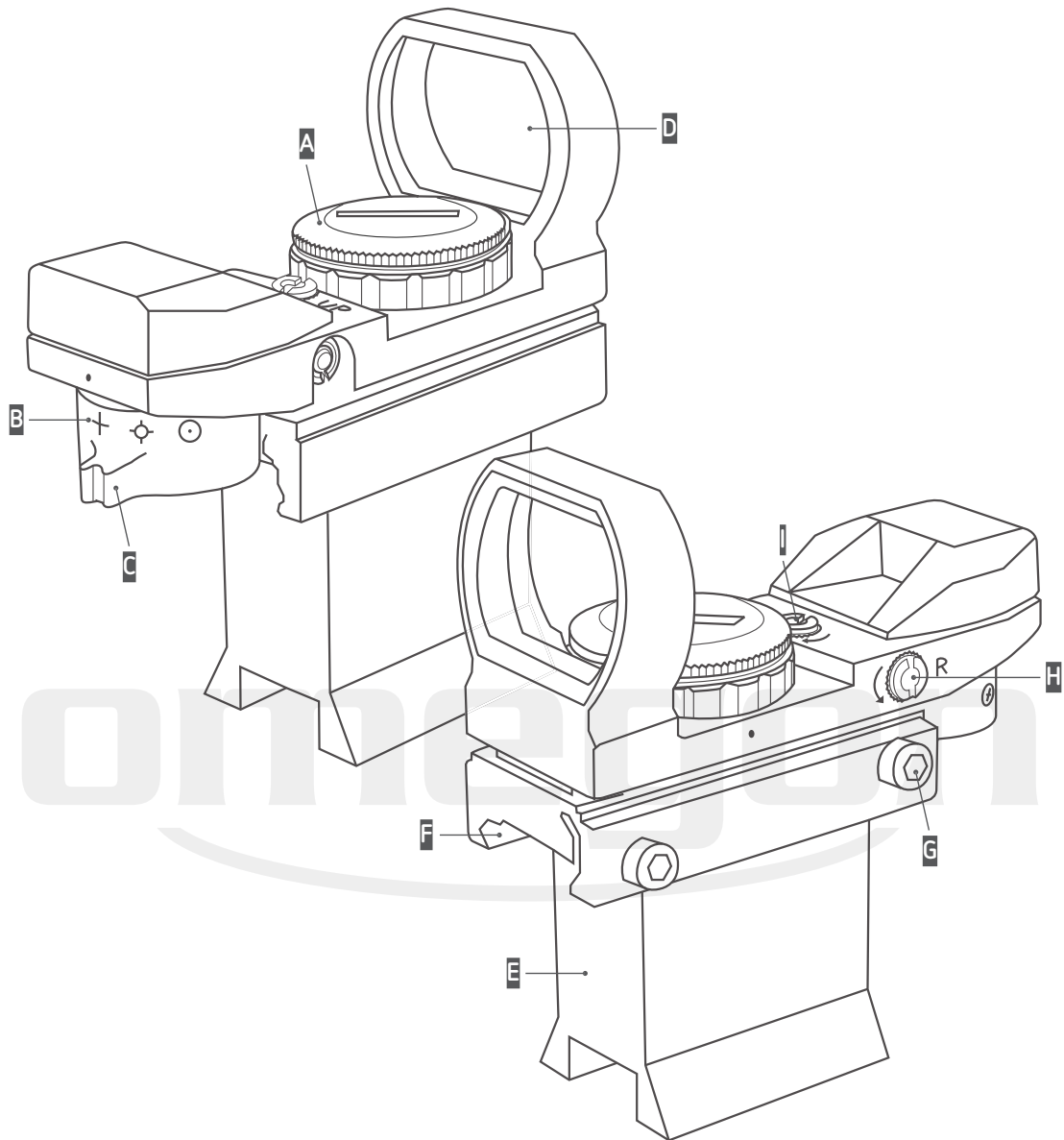


INDEX

1. GENERAL VIEW OF THE VIEW-FINDER	3
2. ASSEMBLY OF THE RDA RED DOT FINDER	4
2.1. <i>Setting up</i>	4
2.2. <i>Assembly of view-finder and telescope</i>	4
3. OPERATION OF THE FINDER	5
3.1. <i>Power up and down</i>	5
3.2. <i>Changing the reticle</i>	5
3.3. <i>Aligning the red dot finder</i>	6
4. CHANGING THE BATTERIES	7

omegon

1. GENERAL VIEW OF THE VIEW-FINDER



RDA RED DOT FINDER

A ROTARY SWITCH / BATTERY COVER

B CROSSHAIRS

C CROSSHAIRS SWITCH

D VIEWING PLATE COVER

E BASE

F PROFILE HOLDER

G ALLEN KEY

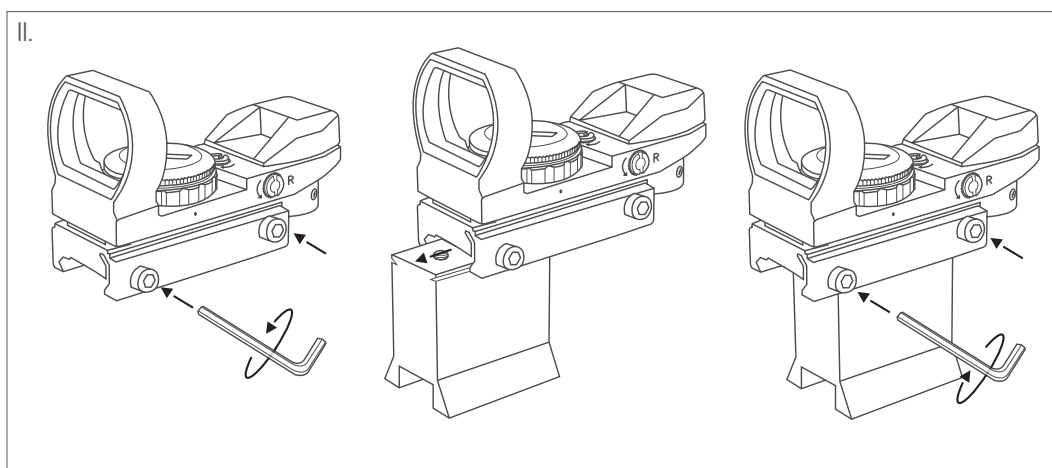
H AZIMUTH ADJUSTMENT

I HEIGHT ADJUSTMENT

2. ASSEMBLY OF THE RDA RED DOT FINDER

2.1. Setting up

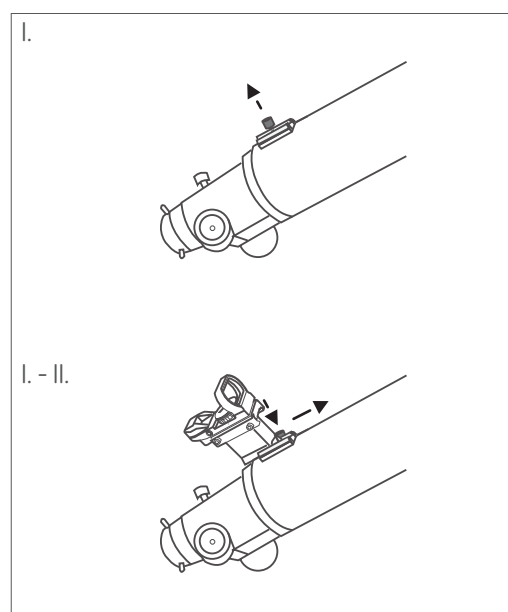
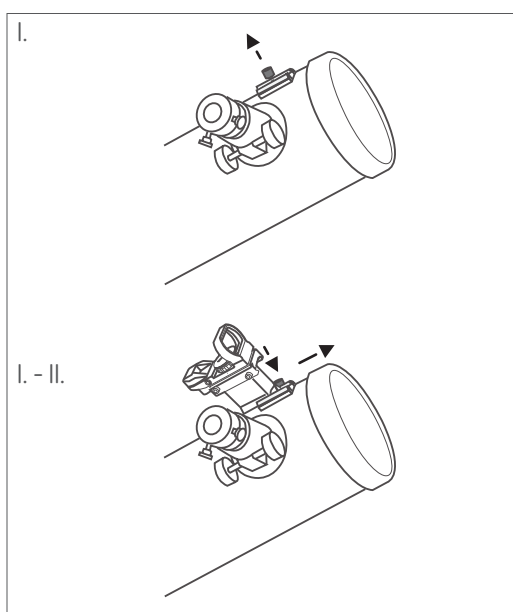
- I. Remove the Omegon Deluxe finder, the base and the allen key from the packaging.
- II. Use the Allen key to loosen the side screws a little. Now slide the base into the profile holder until the Deluxe Finder appears the same as in the illustration. Now re-tighten the screws.



2.2. Assembly of view-finder and telescope

- I. Unloose the lateral screw. Take charge of the deluxe view-finder and slide it on the finder shoe on your telescope.
- II. Tighten the side screws on the finder shoe.

The Deluxe Finder is now securely locked in place.



3. OPERATION OF THE FINDER

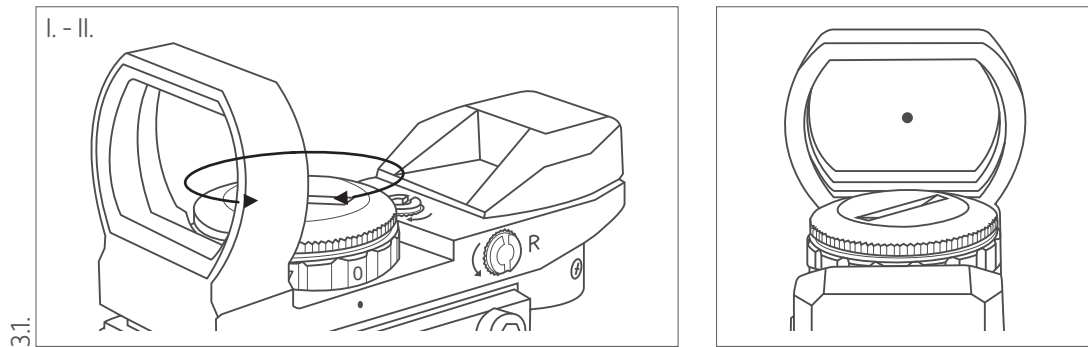
3.1. Power up and down

Remove the black cover from the viewing plate.

- I. Move the rotary switch from position 0 to 1, 2, 3, 4, 5, 6 or 7.

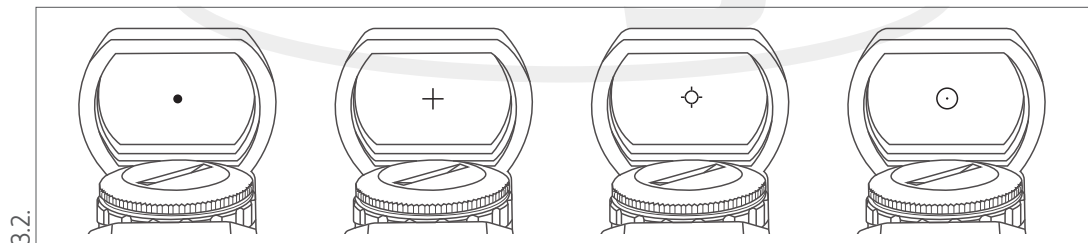
A red dot or a crosshair will appear projected onto the viewing plate. You will note that the crosshairs on the viewing plate become brighter as you move the rotary switch to a higher number.

- II. If you want to power the device off, move the rotary switch into zero position.



3.2. Changing the reticle

Use the crosshairs switch to switch between display types: POINT, CROSS, CIRCLE WITH CROSS or CIRCLE.



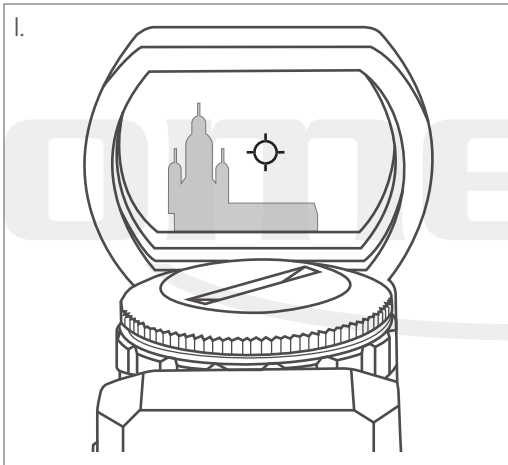
- I. You can change the display type by setting the small white dot to the icon required on the crosshair switch.



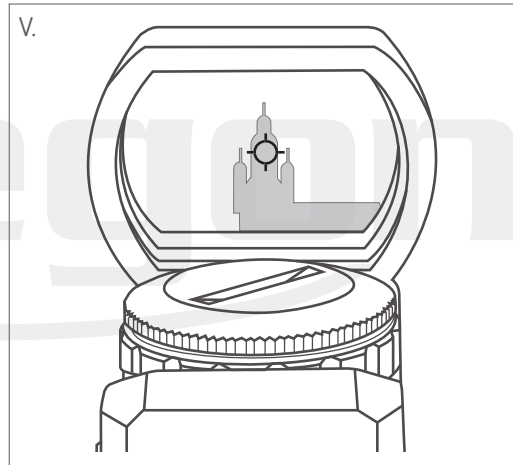
3.3. Aligning the red dot finder

- I. In daylight, take the telescope out into the open and select a point on the horizon about 1-2 km away. The peak of a distant church spire or top of a tree is suitable.
- II. Find the top or peak using the main telescope and place it precisely in the centre of the field of view.
- III. Place yourself about 20cm behind the Deluxe Finder's viewing plate. You will see the crosshairs, which were previously switched on, projected onto the viewing plate. Away in the distance you will also see your object, which is probably not yet centred in the middle of the illuminated symbol (e.g. the crosshairs).
- IV. Now take the Allen key and use this to adjust the height and azimuth. By gently turning the adjustment screws provided, the luminous symbol will move on the viewing plate. Use these adjustment screws alternately to adjust the altitude and azimuth until the object targeted comes into the centre of the luminous symbol on the viewing plate.
- V. The telescope and Deluxe Finder have now been aligned with each other and you can now use the finder to easily home in on objects in the night sky and put them in the field of view of your telescope.

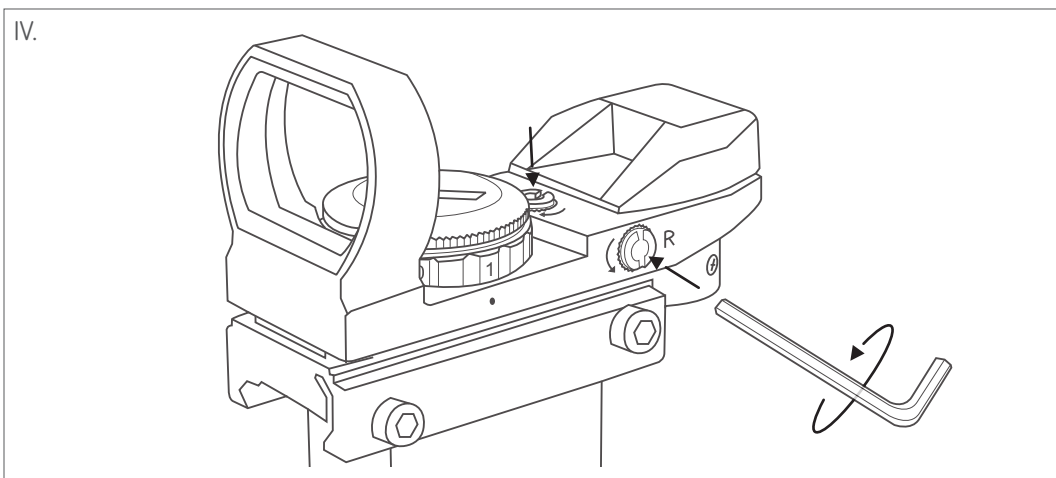
before



after



IV.



4. CHANGING THE BATTERIES

Should the light displays appear too weak or the deluxe view-finder can't be switched on at all, changing the batteries might be advisable.

HOW TO PROCEED:

- I. Use a coin to open the battery cover by inserting it into the slot provided and twisting anticlockwise.
- II. Turn the coin anticlockwise. The battery compartment may be opened and the batteries can be changed.
- III. Remember to close the battery compartment again after inserting new batteries.

